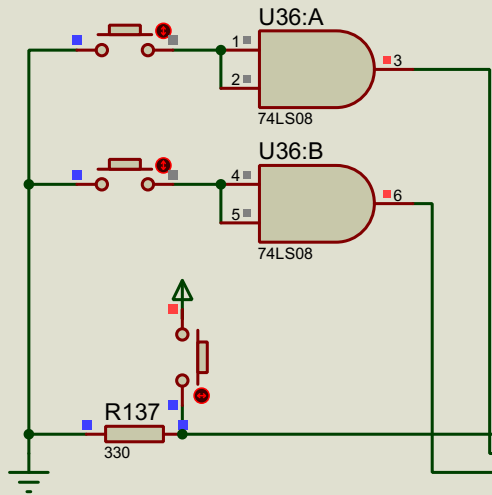
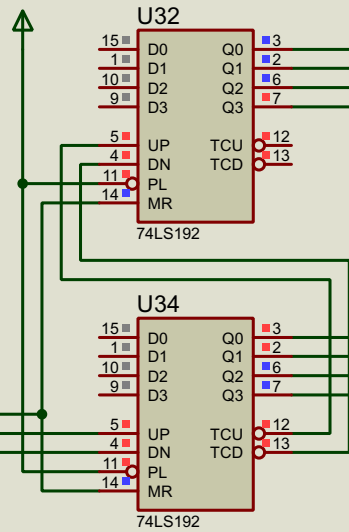


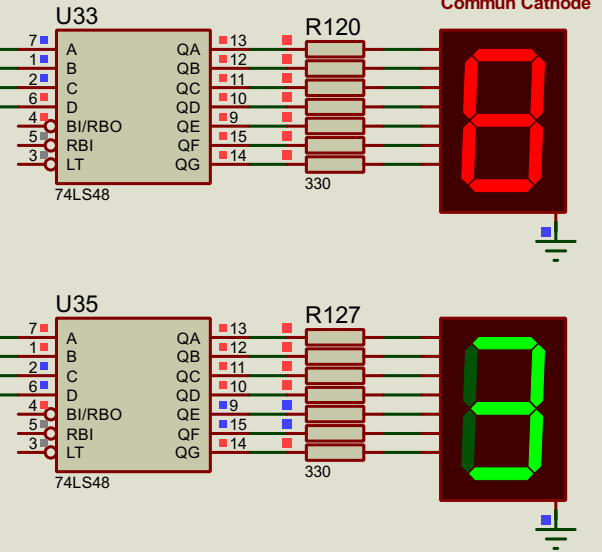
2-input AND gates with standard push-pull outputs



4-bit synchronous up/down decade counter

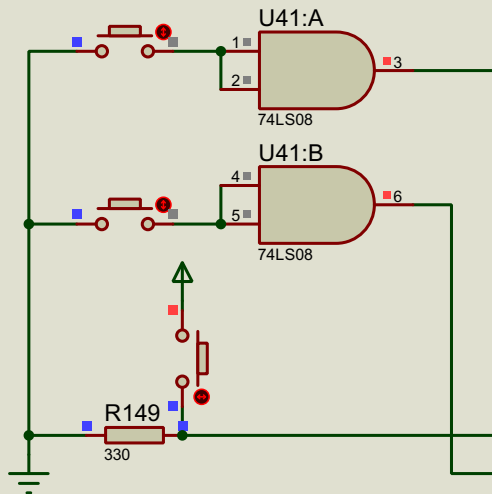


BCD-to-7-segment decoder/driver

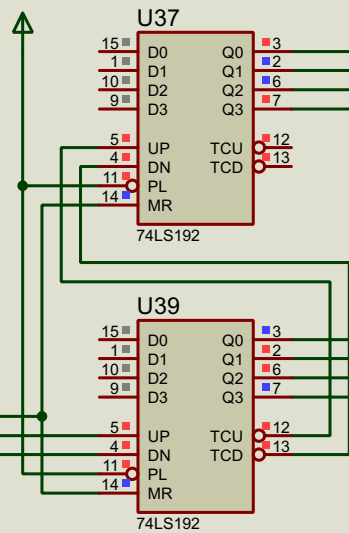


Commun Cathode

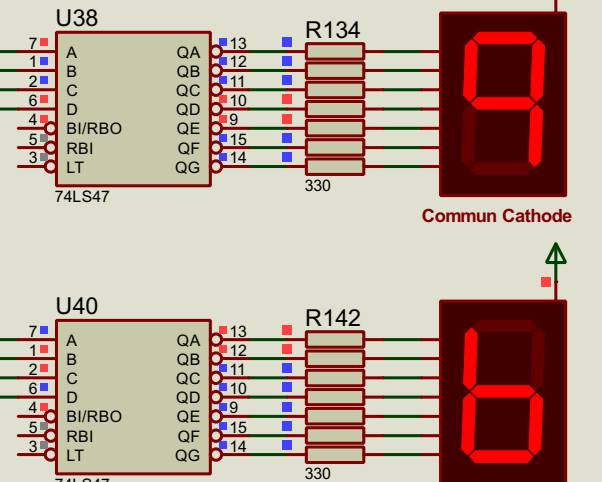
2-input AND gates with standard push-pull outputs



4-bit synchronous up/down decade counter



BCD-to-7-segment decoder/driver



Commun Cathode